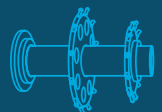
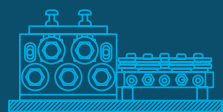
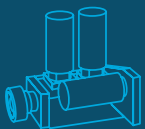


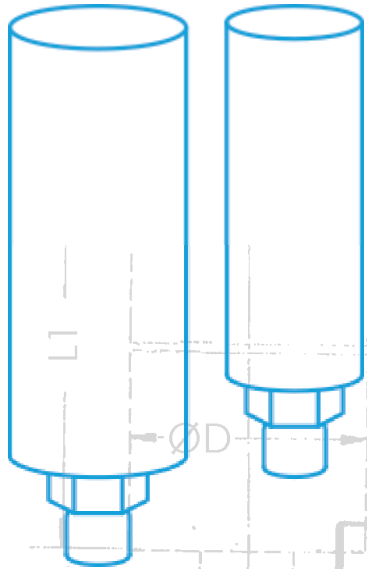
Providing engineered solutions for all
your manufacturing process needs



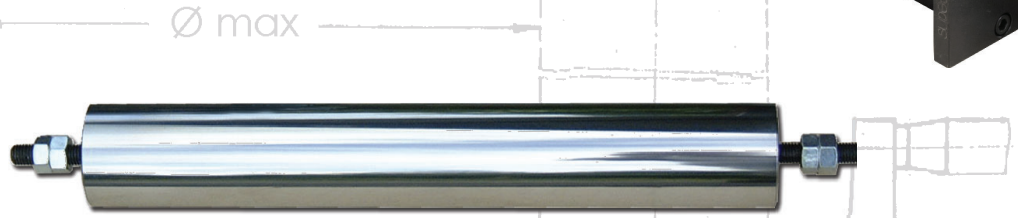
subec

Your Source of Inspiration





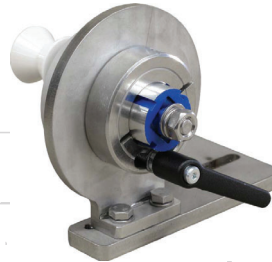
- Precision finish, premium quality
- Hardened and chromed steel standard
- Large variety in stock
- PU-Coating, stainless, PA6 and other materials optional
- Over 30 years of experience



ROLLER CROSSES

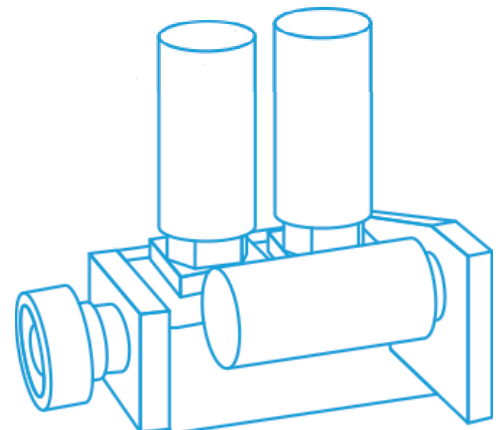
Complete control of your product

- Fixed opening
- Individually adjustable
- Centric closing by 2 handknobs



- 45-degree type, centric closing with one handwheel

- Iris type, centric closing with one handle



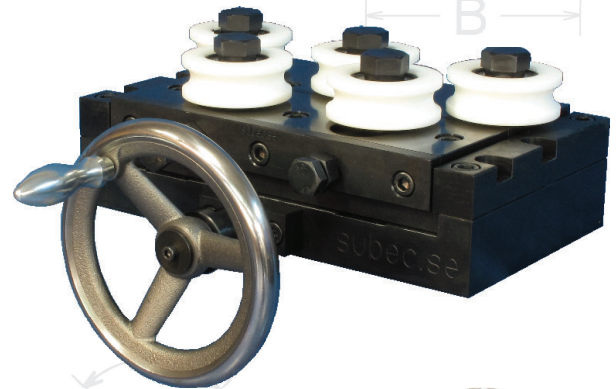
Q-STRAIGHTENERS

- Q for Quick opening/closing with self locking excentric
- Repeatable wire deformation settings



AA-STRAIGHTENERS

- AA for All rollers Adjustable
- Rollers pass for deep deformation
- Flexible to move wire line

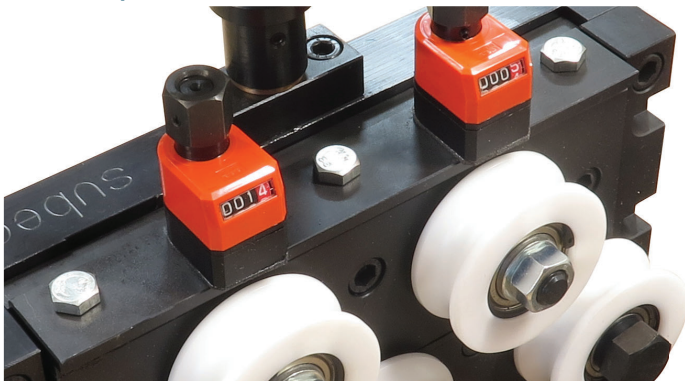


HW-STRAIGHTENERS

- HW for open/close by handwheel
- Repeatable wire deformation settings
- SY-Option for symmetric open/close of both roller rows towards wire center line

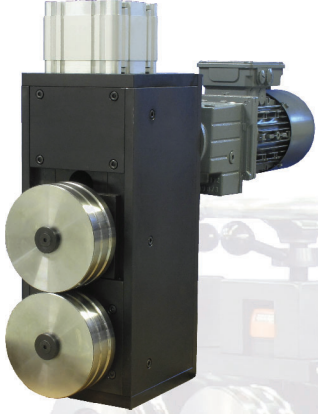
OPTIONS FOR ALL MODELS

- Hydraulic or pneumatic open/close
- Position indicators on rollers
- Sizes from Miniature to Heavy duty
- Custom grooves on rollers
- Roller material plastic, ceramic, tungsten carbide
- Models for tape straightening
- Safety covers



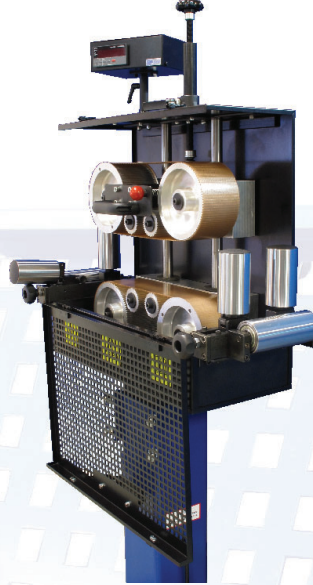
DRIVE UNITS

- Single and double units
- Feeding wire or cable
- Handwheel, pneumatic or hydraulic closing
- Motor acc. requirement
- Electrical control optional



CAT LENGTH COUNTERS

- Sturdy belt caterpillars
- Multiple encoders possible
- High precision accuracy
- Alternative: Counting wheel



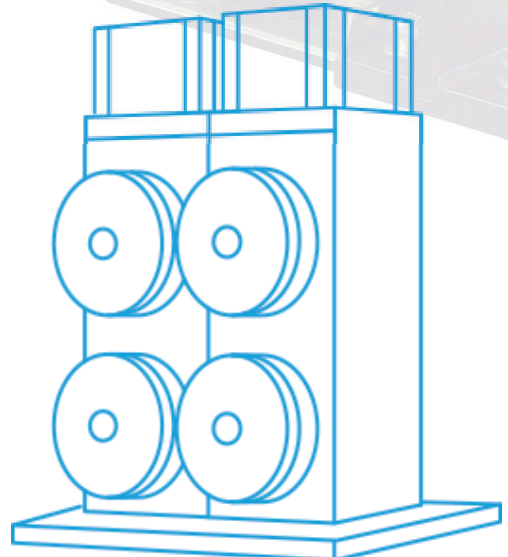
HYSTERESIS BRAKES

- For braking wire and cable
- Electrical control or manually adjustable
- Sturdy design
- Various types of brakes



LASER CONSOLE

- 2-plane guide adjustment
- Aligns and stabilizes
- Precise centering for non-contact laser length measuring

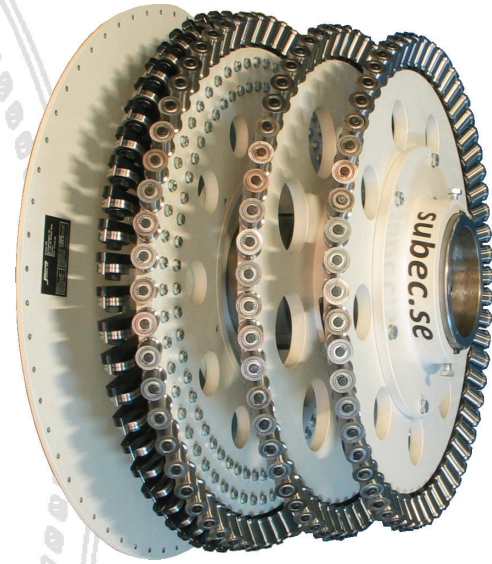
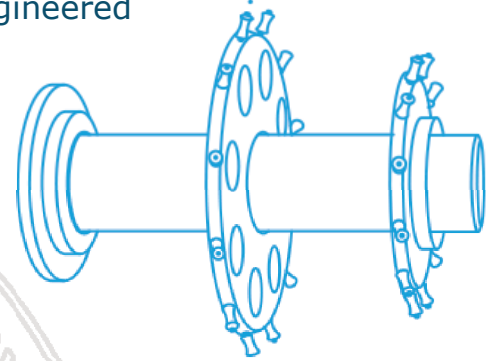


CABLE STRIPPER



PREFORMERS

- Radial and tangential Wire deforming
- Custom engineered



POWDER APPLICATOR



CATERPILLARS



ALUMINIUM WITH SPOKES

- Strong and lightweight design
- Standard hard anodized
- Ø500 and Ø800mm on stock
- Ceramic coating option
- Polymer coating option



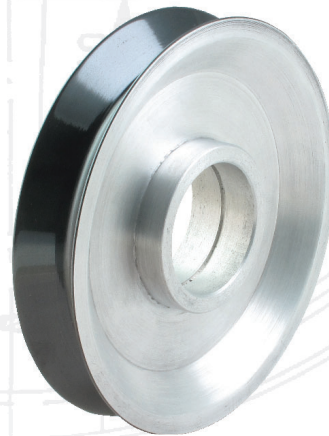
PA6, PE-UHMW OR POM

- High wear strength
- Wide variety in stock
- Short leadtime for custom design
- Sizes UP to Ø1250mm (49")



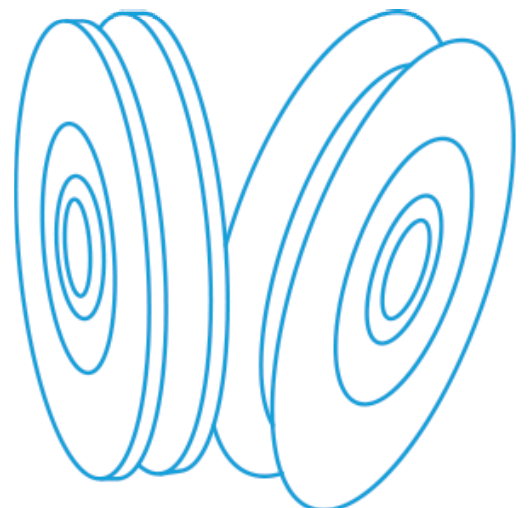
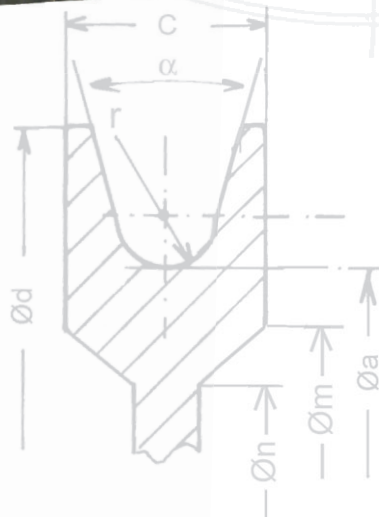
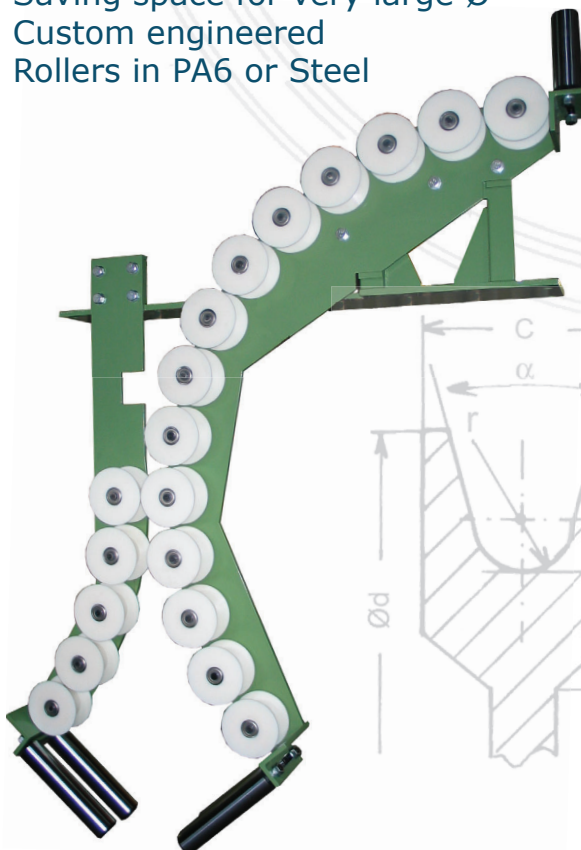
ALU, CERAMIC COATED

- High wear strength
- From sales stock or custom design



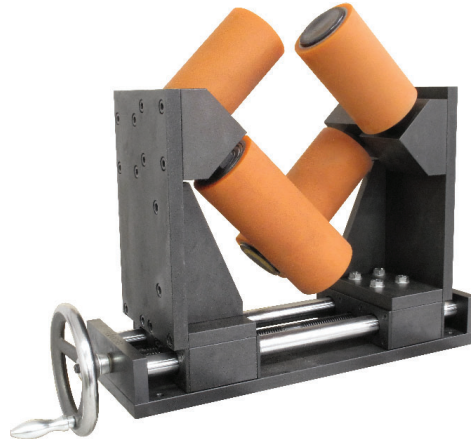
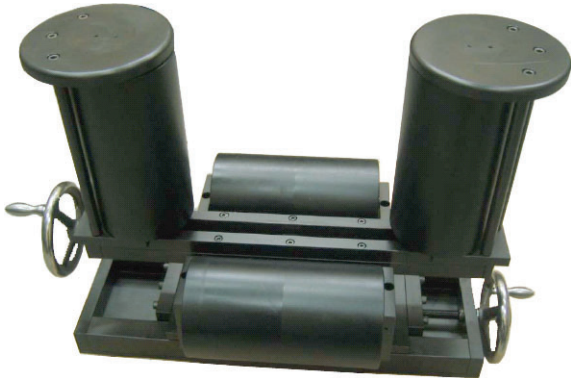
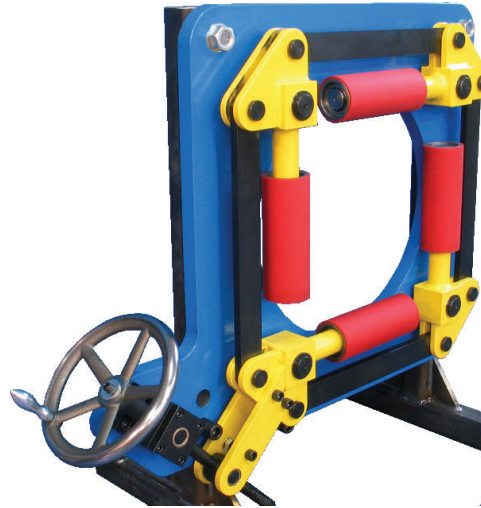
ROLLER ARCS

- Saving space for very large Ø
- Custom engineered
- Rollers in PA6 or Steel

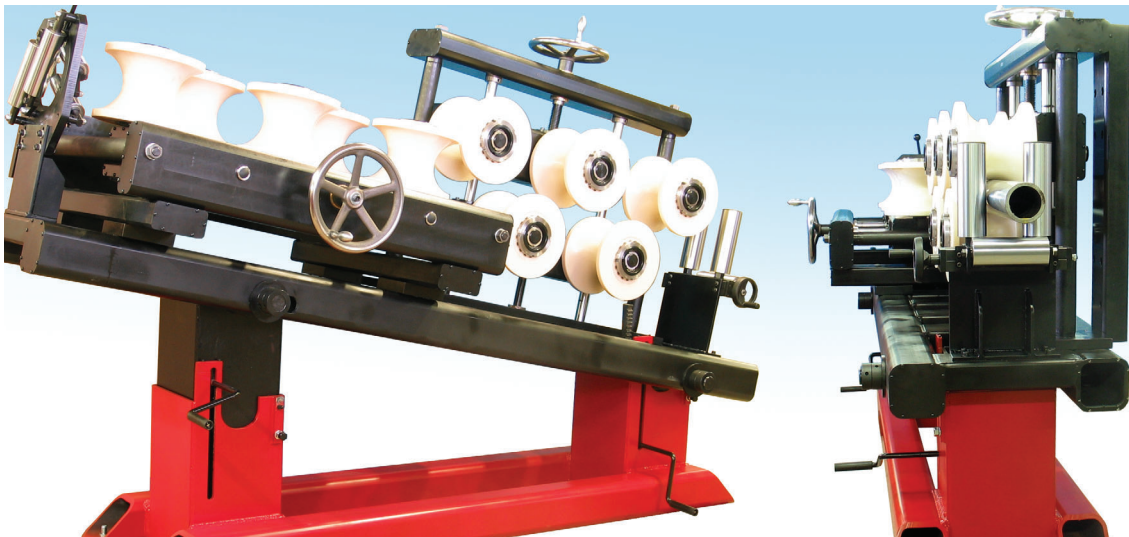


GUIDE ROLLERS

- Heavy duty designs
- Rollers in steel, PA6, PU-coated
- Short leadtime for custom design
- Large volumes for outfitting complete factory



FORMING STATION • For large product diameter






Ideas engineered



SUBEC AB

 HESSELMANS TORG 5
SE-131 54 NACKA

 +46 8 884633

 INFO@SUBEC.SE